

I/113e



BIZERBA | ELECTRONIC CHECKOUT SCALES CS 300 TM / CS 300 TE



** CHECKOUT SCALES - OPTIONALLY
BUILT-IN OR FREE-STANDING

CS
300

→ BIZERBA. PROVIDES WEIGHTY ANSWERS.

→ WHY DOES THE CS 300 GO SO

WELL WITH YOUR CHECKOUT?

The BIZERBA electronic checkout scales, optionally free-standing (SC 300 TM) or integrated into the checkout desk (SC 300 TE), offer optimal combinations of scale and checkout by virtue of their interface varieties. The free-standing stand-mounted display allows flexible positioning. The basic price, optionally with or without tare value, is transferred from the

checkout to the scale. The CS 300 then calculates the selling price and subsequently transfers it together with the weight as well as the basic price to the verifiable customer receipt printer.



→ INTEGRATED VERSION CS 300 TE

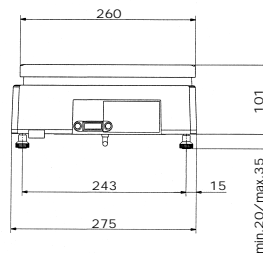
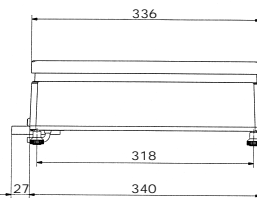
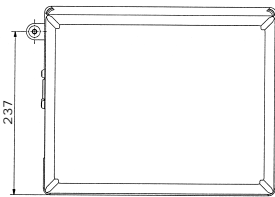
THE MOST IMPORTANT TECHNICAL SPECIFICATIONS



→ Weighing range ¹⁾ :	6	15	3/6	6/15	(kg)
→ Division:	2	5	1/2	2/5	(9)
→ Minimum load:	40	100	20	40	(9)
→ Resolution:	3000 d or 2 x 3000 d				
→ Basic price division:	0,01	0,01	0,01	0,01	
→ No. of basic price digits:	5	5	5	5	
→ Selling price division:	0,01	0,01	0,01	0,01	
→ No. of selling price digits:	6	6	6	6	
→ Data outputs:	Serial interface RS 232 or RS 422 Data protocol for checkout-function				
→ Display:	remote single-sided (double-sided ¹⁾) on stand for weight, basic price, selling price, tare value and (article text ¹⁾)				

→ Dimensions (mm):

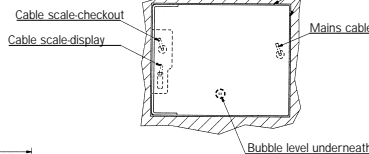
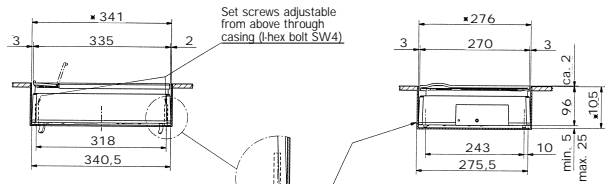
free-standing load receptor



→ Weighing cell:	DMS Strain gauge principle
→ Temperature range:	-10° C to +40° C
→ Weight:	TM = 8,1 kg, TE = 8,7 kg
→ Operating voltage (Mains voltage):	120 / 230 V
→ Mains frequency:	50 / 60 Hz
→ Power consumption:	10 VA approx.
→ ¹⁾ = Option:	

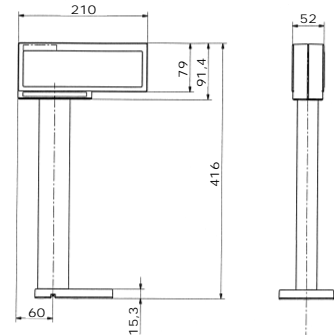
Datenausgang an Datenkassen für Checkout-Funktion

built-in load receptor



Minimum dimensions for mounting frame

Stand-mounted display



**** BECAUSE ITS INTERFACES ALLOW OPTIMAL SCALE-CHECKOUT COMBINATIONS.**



→ BIZERBA. PROVIDES WEIGHTY ANSWERS.