

IV/117e



BIZERBA | FULLY AUTOMATIC WEIGHING

AND LABELING UNIT GV-C



→ WEIGHT-RELATED PRODUCT LABELING IN COMBINATION WITH EITHER GV-E, GS-ES OR GS-E0.

→ GV-C WITH GV-E



** THE GV-C. GIVES YO



WHICH SYSTEM KEEPS

ALL OPTIONS OPEN FOR YOU?

The GV-C is a fully automatic weigh-price labeling unit for integration into the customer's conveyor belt system for weight-related labeling of boxes, crates or containers. After the weighing process, the packages are transferred to the customer's discharge conveyor belt and labelled employing one of the following optional techniques:

- GVE: Labels are affixed from above
- GS-EO: Labels are affixed from above or from the side, on front or side of package depending on version
- GSES: Labels are affixed from the side

With this unit the labels are applied either in a continuous flow or in start/stop operation. A further option is the synchronous control of the process via I/O signals generated by the customer's SPS. This feature allows the integration of the GV-C components into automatic conveyor belt lines.

Further benefits:

- Alphanumeric tactile keyboard
- Backlit LCD graphic display
- Numerous label variations
- Memory card for data back-up (optional)
- Minimal space required

→ GV-C WITH GS/EO



U THE CHOICE OF THE LABELING METHOD.

THE MOST IMPORTANT TECHNICAL SPECIFICATIONS



→ Display and control panel as separate terminal

→ **Keyboard:** Alphanumeric tactile Keyboard

→ **Display:** Backlit LCD screen

→ **Label size:** Min. 30mm (W) x 30mm (H)
Max. 100mm (W) x 100mm (H)

→ **Package size:** Min. 250 x 50 x >20mm (W x D x H)
Max. 800 x 600 x <600mm (W x D x H)

→ **Labeling technique:** Air jet → GVE, GS-ES and GS-ES
Rotary → GS-ES and GS-E0
Stamp → GS-ES and GS-E0

→ **Labeling capacity:** Up to 32 packages/min.

→ **Label roll:** Core diameter: 76 mm, 40mm (optional),
Outside diameter: max. 300mm (GV-E: 210mm)

→ **Label design:** Fixed existing standard layouts
Variable label design with Bizerba BLD Software

→ **Barcode version:** EAN/UPC 8, EAN/UPC 13, EAN/UPC 128,
Code 128, Code 39, 2/5 Int, ITF, PDF 417,
PDF AI

→ **Dimensions in mm
(inches):**

→ **Character sets:** 7, various character heights and widths,
True Type Fonts

→ **Memory:** 2 MB (standard) / 4 MB (optional)

→ **Interfaces:** RS485 (Profibus) for connection to Gx-mach-
ines or EDP; RS232 or RS 422, TTY, TCP/IP
for connection to EDP

→ **Mains power:** 230V / 50-60Hz / 1 A
110V / 60Hz / 1,8A

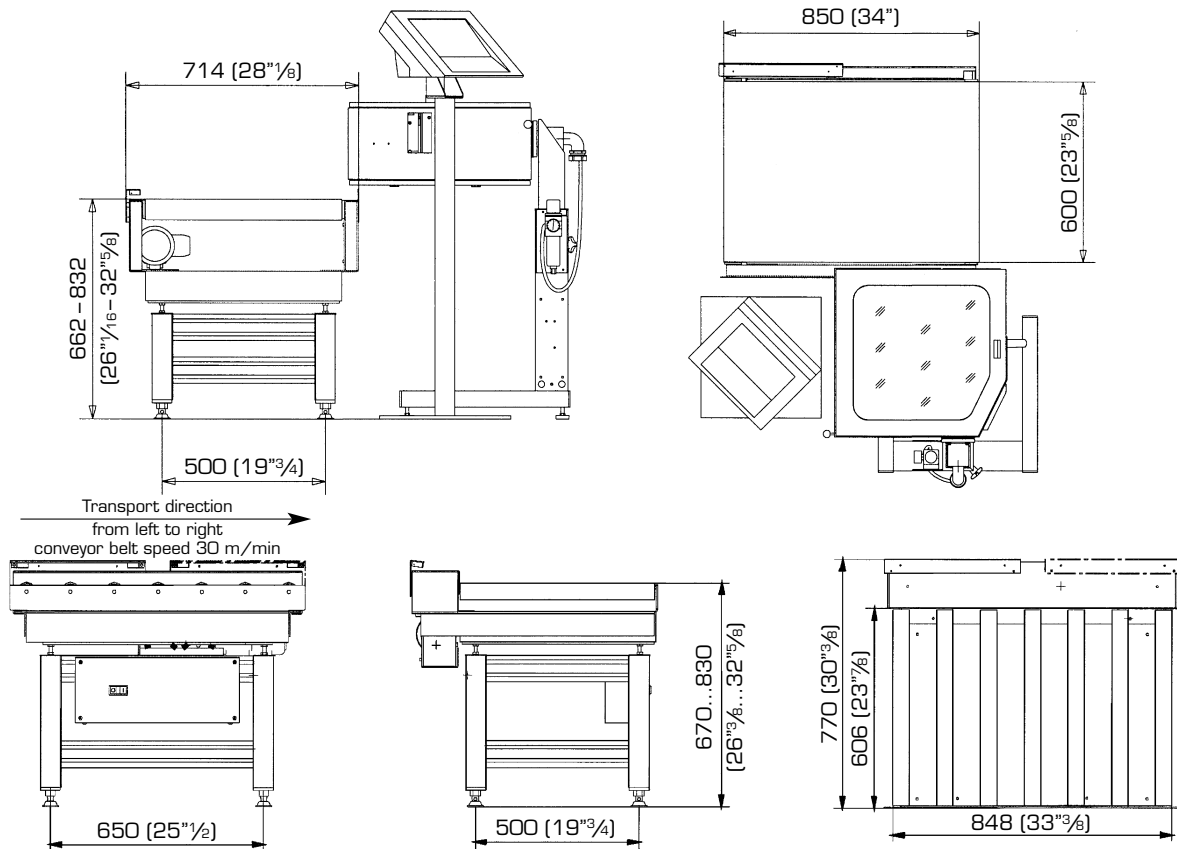
→ **Operating tempe-
rature:** -10 °C to +40 °C
14 °F to 104 °F

→ **Humidity:** 20 to 80% non-condensing

→ **Protection class** Housing IP 20
According to DIN Keyboard and display IP 54
40050: Control cabinet IP 54

→ **Transport belt
speed:** 30m/min.

→ **Weighing range
GV-C:** Load receptor type 350 A up to 60kg max.



BIZERBA
_balanced information