

V/114e



BIZERBA | INDUSTRIAL TERMINAL

NT 15"



→ INDUSTRIAL PC WITH A BUILT-IN; VERIFIABLE WEIGHING SYSTEM; PROTECTION TYPE IP 65.

→ INDUSTRIAL PC NT WITH NTscale



→ HYGIENIC AND ROBUST; GMP COMPLIANT





COMBINING THE POWER OF AN INDUSTRIAL PC WITH M AND CUSTOMER-SPECIFIC SOFTWARE APPLIC

→ NTscale – the integrated scale

With the NTscale integrated weighing system load receptors can be connected directly to the NT terminal. The NT scale software works under Windows NT/2000/XP Professional. It thus combines modern Bizerba weighing technology with the open Windows architecture.

→ Analog or digital

You may connect multiple analog load receptors to the NTscale via its integrated analog-digital converter. Load receptors with digital load cells can be connected directly to the NT terminal via the Bizerba measuring bus.

→ Scale display

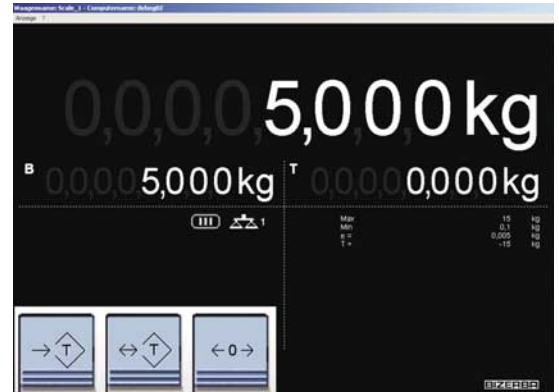
The display appears as a separate window within the Windows desktop. NTscale can be verified for trade use. All verifiable keydata are displayed and the display always appears 'on top'. Each load receptor has its own window. Thus several load receptors can be displayed simultaneously.

→ Display versions

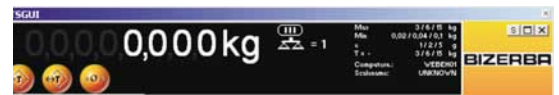
You can chose from three display versions:

- Full screen display with net, tare and gross weight, function keys for taring, clearing tare and zeroing as well as a menu bar for further options.

- Standard display window with net weight and function keys for taring and zeroing.
- 'Docked window' at the top, side or bottom, displaying the net weight, with or without function keys.



Full screen display to Windows standard on the desktop



Standard display window in Windows standard



Windows docked to the task bar

Table and bench version



Overhead track scale



Floor and pit mounted version



NTscale



→ BIZERBA NT WITH NTscale – THE INTEGRATED SCALE

MODERN WEIGHING TECHNOLOGIES

→ Bizerba BCT – intelligent interface to applications

Communication with applications is achieved via the Bizerba Communication Tool BCT. This provides a choice between connection via ActiveX Control or via a file interface. Applications that access the weighing data of NTscale use the same interface as external terminals (Bizerba ST, BT or EL). The command language is BxNet. In the configuration tool 'BCS Configuration' simply select NTscale from the device list.

→ BCT Virtual ES – verifiabel data storage

The verifiable data storage unit VirtualES is an additional function of BCT. If the application requires verifiable weighing values for further processing, i.e. for production of invoices, then these can be accessed via VirtualES for reference purposes. This happens directly on the hard drive via an approved encoding procedure. No additional hardware is required.

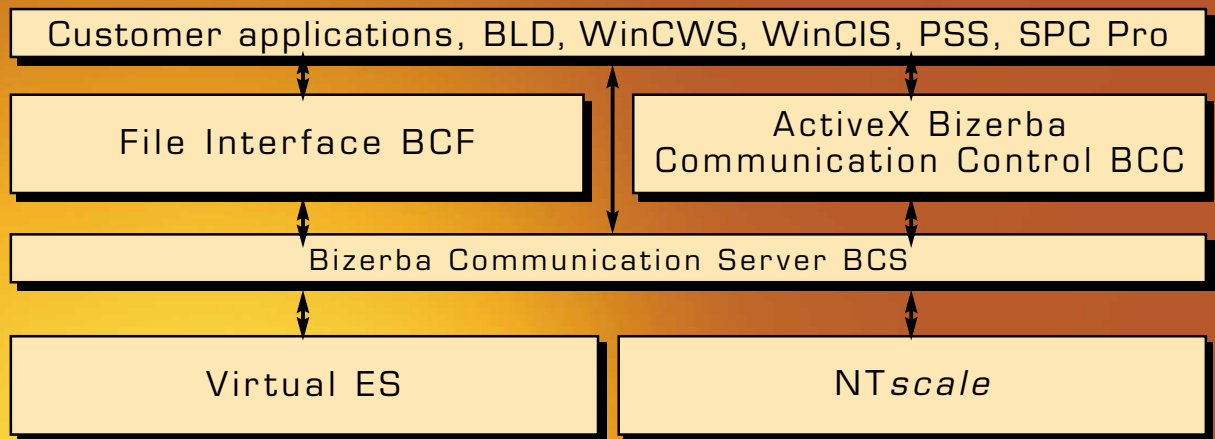


→ NT AS AN INPUT TERMINAL



→ AS A PROCESS CONTROLLER

→ CONNECTION VIA BCT BIZERBA COMMUNICATION TOOL





THE PROFESSIONAL SYNTHESIS OF INDUSTRIAL SUITABILITY, ABSOLUTE RELIABILITY AND OPERATING CONVENIENCE

→ Extreme, sector-specific production conditions

Food compatibility, protection against splash water, durability against dust, simple cleaning and durability against cleaning and disinfection agents are of great importance when choosing a terminal.

With the NT terminal Bizerba offers a high-performance solution which is suitable for the industrial area. The entirely enclosed housing of the NT terminal is designed as a compact unit completely in stainless steel, achieving protection type IP 65.

Plane surfaces as well as the back side of the heat sink without chinks and grooves prevent the terminal from becoming soiled and guarantee an easy cleaning process.

→ Efficiency, transparency and precision as part of your processes

Either as a central scale server or as an input terminal, the NT controls a number of important weighing, dosing, counting, monitoring, controlling and data capture functions. With the NT terminal Bizerba offers a forward looking solution for the monitoring of production processes, quality control, minimization of faults and cost reduction.

→ Easy process integration and forward-looking technology

The homogenous integration into existing production environments and networks, connection of peripheral devices and subsequent system expansion are possible without problems.

→ System stability and reliability

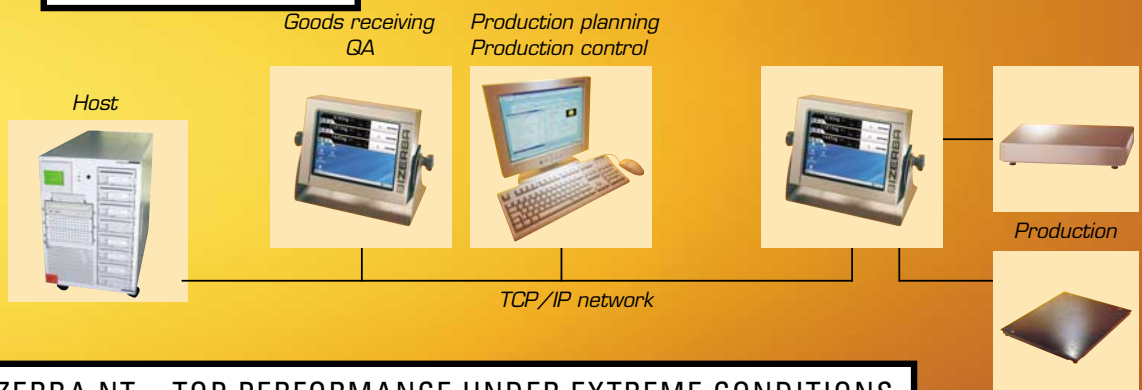
The impact-proof and vibration-free design does without interference-prone components and outer fan. The power pack is integrated in the housing.

→ Operating convenience

The space-saving and hygienic touch screen is the perfect input media for fast and user-friendly operation. The terminal can be operated directly via the screen with the finger, allowing intuitive operating as well as quick access to all necessary data direct input of commands. Even untrained staff will quickly be able to operate the terminal correctly.

You can choose from two NT terminal versions: The **NT-powerEdition**, equipped with scratch and shock-proof **infrared** touch screen and the **NT-liteEdition** with a resistive touch screen.

→ NETWORK SOLUTIONS



→ BIZERBA NT – TOP PERFORMANCE UNDER EXTREME CONDITIONS

TECHNICAL DATA

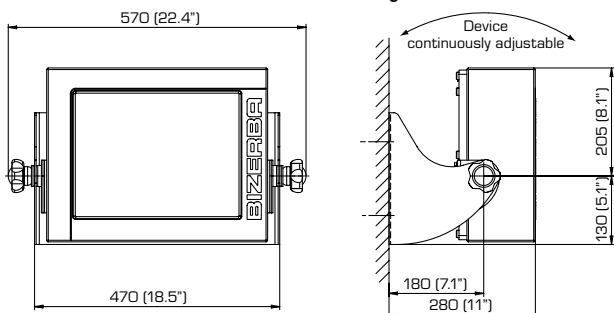


		Power Edition	Lite Edition		Power Edition	Lite Edition
→ Housing:	Stainless steel 1.4301	●	●	→ Ethernet:	TCP/IP 10/100 Base Tx	● ●
→ Protection type:	Dust and waterproof according to IP 65 (DIN EN 60529).	●	●	→ Serial Interfaces:	3x serial COM slots for optional SIO modules (RS 232, RS 422, TTY)	● ●
→ Power supply:	100 V – 240 V AC, 50 – 60 Hz	●	●	→ USB Interface:	3x	● ●
→ Power consumption:	230 V AC: 0.30 A 120 V AC: 0.66 A	●	●	→ PS/2:	1x	● ●
→ Ambient temperature range:	0 °C up to +40 °C/32 °F up to 104 °F Storage: -20 °C up to +60 °C/ 4 °F up to 140 °F	●	●	→ Optional extensions:	<ul style="list-style-type: none"> • NTscale allows verifiable operation of several scales simultaneously (software module). • VirtualES- Weights & Measures approved software module for logging verifiable data. • max. 2 pluggable ADC modules to connect load receptors with strain gauge load cells. Impedance (min 56 Ω), ADC modules occupy a COM slot. • max. 4 ADC modules • SIO modules TTY/RS232/RS422, with galvanic separation. • 8 input and 8 output signals. • PCI profibus card FDL, EN 50170 part 1 	● ●
→ Dead weight:	20 kg/44 lb	●	●	→ Touch Screen:	<ul style="list-style-type: none"> • Infrared touch Suitable for use in rough industrial environment (Surface, scratch and shock-proof) • Resistive touch Suitable for use in moderate environment (Surface not scratch -proof) 	● ●
→ Processor:	Celeron 1.2 GHz	●	●			
→ RAM:	256 MB SDRAM 512 MB SDRAM	● ●	○			
→ Hard disk:	20 GB shock-proof bearing	●	●			
→ Graphic memory:	max. 64 MB SDRAM	●	●			
→ Display:	Active color LC graphic display with CFL backlit color TFT, XGA 15", 1024 x 768	●	●			
→ Keyboard:	<ul style="list-style-type: none"> • Virtual keyboard with touch screen operation • External IP 65 keyboard with integrated touch pad 	● ●	○			
→ Operating system:	Windows XP more operating systems upon request	● ●	● ●			
→ PCI bus:	1 slot 32-bit PCI	●	●			

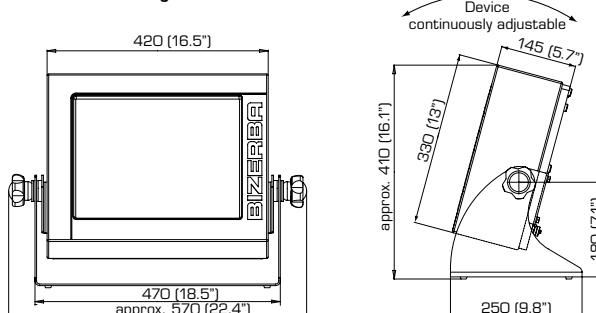
● = standard, ● = optional, ○ = not available

→ Dimensions in mm (inches):

→ Wall-mount design



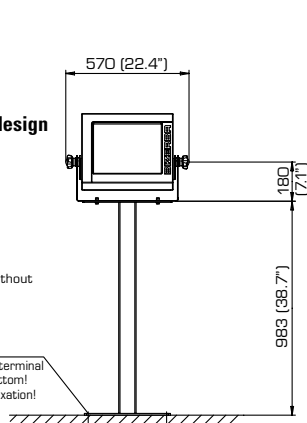
→ Table design



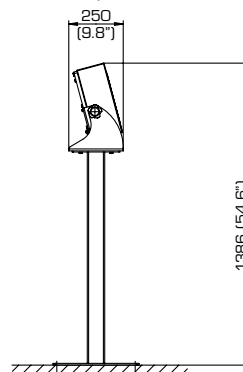
→ Stand-mount design

PLEASE NOTE!
Do not operate device without bottom bracing!

During installation, please make sure that the terminal is properly affixed at its bottom! Please select the correct fixation!



→ Stand-mount design



BIZERBA

_balanced information