

ELIXA[®] XP



ELIXA XP

Elix technology

The new series ELIXA wrapping machines (XP, ZX) has been conceived with the aims of providing a better solution for stretch wrapping of fresh meats and food, higher reliability and a longer product shelf life further to require really low maintenance intervention.

Important investment in projecting, moulds and tools make possible the use of innovative materials, such actions led a sensitive costs reductions, granting the performances improvement in favor of speed and reliability.

An increasing use of components made of technopolymeric material, allowed the assembly times and machines overall weight reduction, with a consequent impact improvement for the whole manufacturing processes towards the environment.

Gruppo Fabbri consolidates the Research and Development section's well-known technical reliability of the solutions offered, since ever in service of current and potential customers.



Main features and strength points

> Modern and functional design	Thanks to softer lines of the guards and new additional features, helps the washing water outflow while preventing infiltration into the machine.
> New electrical system	Meeting the latest standards.
> Innovative engineering solutions	Particularly applied to the parts subject to wear and tear, to guarantee longer life and reduce maintenance.
> Integration kits designed together the machine	To maximize compatibility between electrical and hardware elements foreseen in the standard configuration.
> New weighing and labeling kit	<ul style="list-style-type: none"> - Greater accuracy of scale reading - Faster response times of the packaging/weighing system
> Footprint limited to the four feet of the frame	<ul style="list-style-type: none"> - Easier access to the packaging machine - More effective cleaning and maintenance
> Packaging speed increasing	Increase by two packages per minute respect the previous model.

Technical specifications

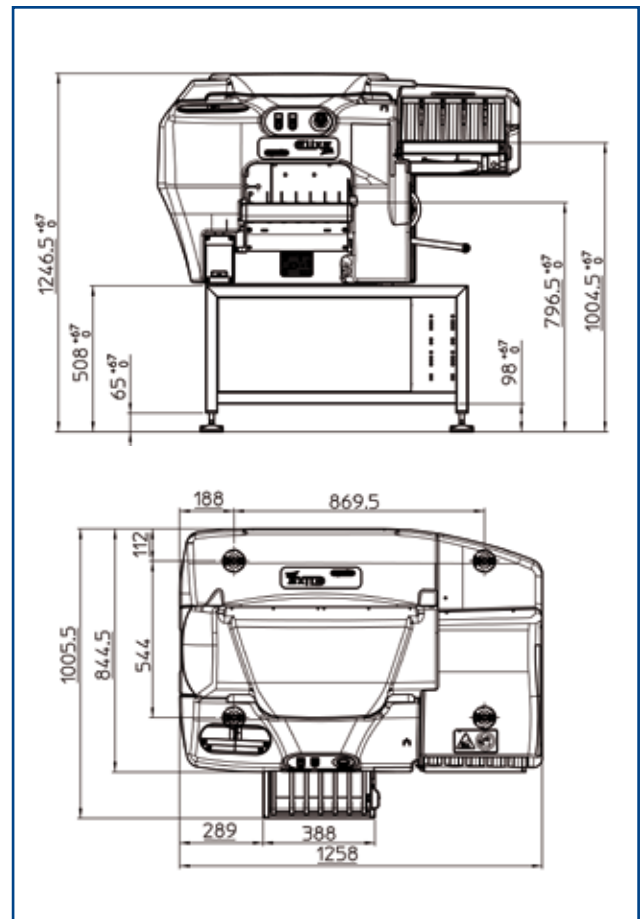
Speed	Up to 20 packs/minute
Film reel width	One film reel 280 mm
Power supply	230 Vac + 10%
Installed power	1980 VA
Tray size (LxWxH)	Min 120x100x10 mm Max 350x230x130 mm (*)
Machine standard configuration	Frontal operating

(*) It is not possible to achieve all three maximum dimensions contemporaneously on the machine

Gruppo Fabbri reserves the right to change technical specifications without prior notice

Optional devices

- > In line exit conveyor
- > Device for narrow and long trays
- > Supplementary film reel holder for printed film
- > Integration kit for weighing-labeling devices
- > PEX film device
- > Flat trays and cheese device
- > 4 self-blocking wheels
- > Special trays device
- > Pack counter with resetting
- > Printed film device
- > Chance to use reduced film reels width



Technical drawing



For further information and tests
sales@gruppofabbri.com