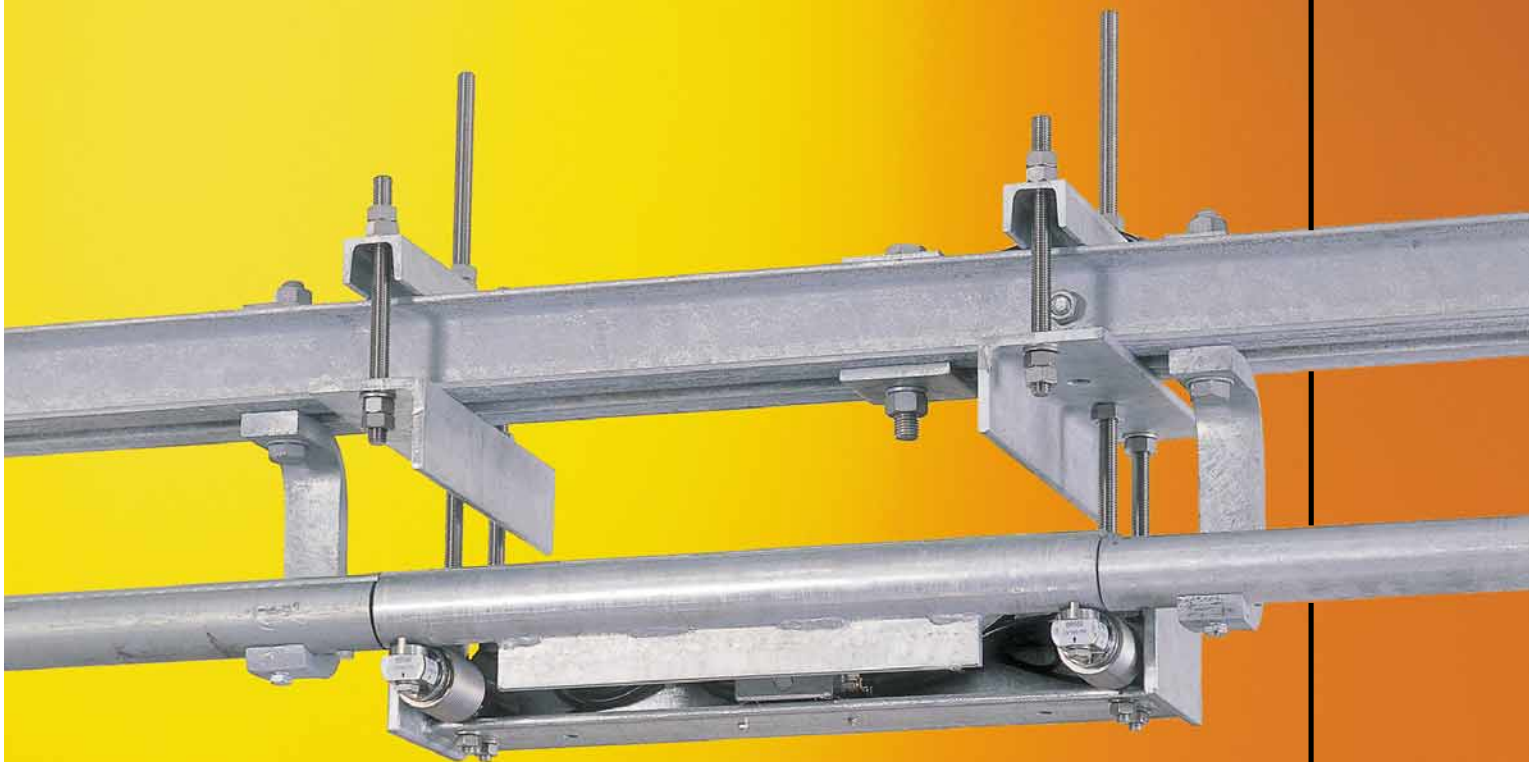


V/215e



BIZERBA | OVERHEAD TRACK SCALES

HBE 300-1000 / 1500



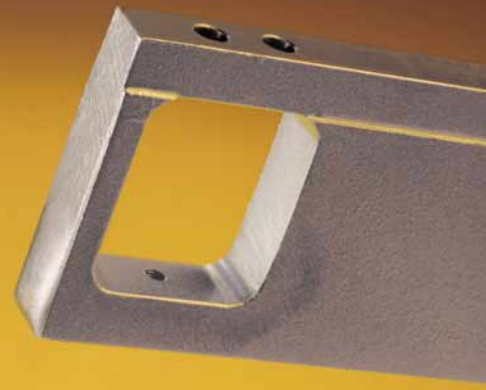
→ WEIGHT ACQUISITION FOR STATIC CONVEYOR
OR TUBE TRACK INSTALLATIONS.



→ TUBE 60 MM (50 MM)

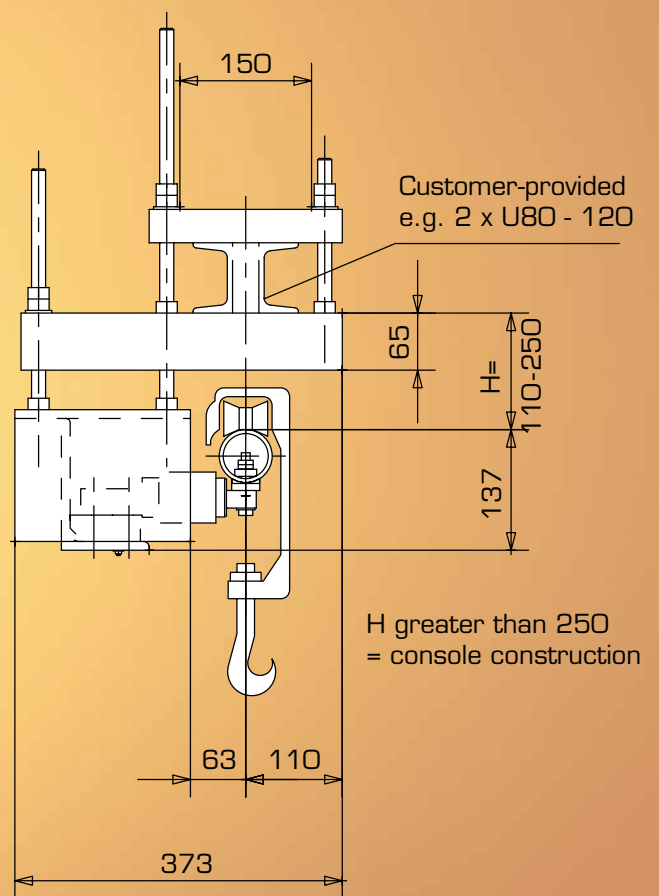
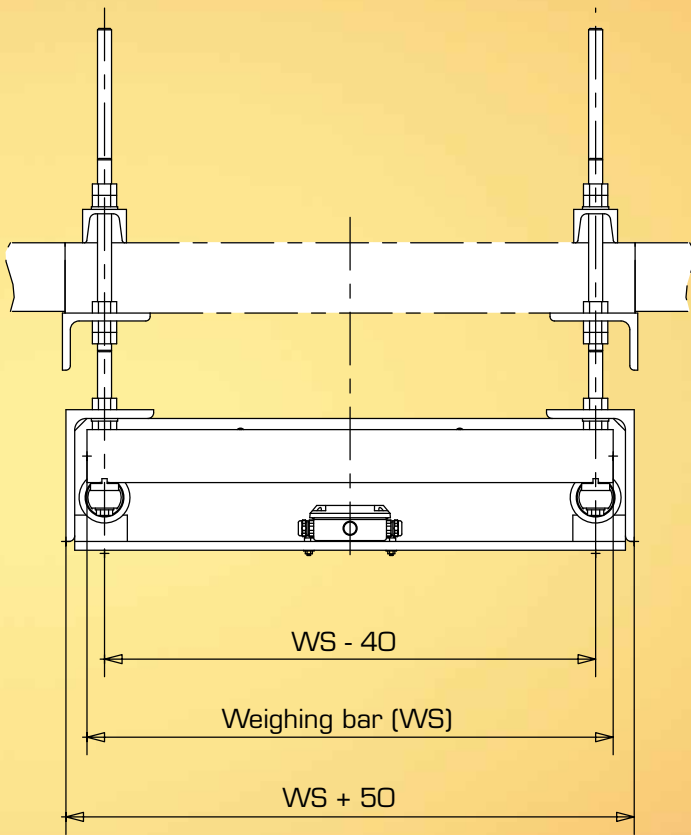


→ SLOTTED TUBE WITH PLASTIC TRACK



→ FLAT BAR

→ Dimensions in mm



→ ST TERMINAL



→ ITU TERMINAL



→ NT SCALE





BIZERBA OVERHEAD TRACK SCALE

MODELS HBE 300-1000/1500

→ Use

The overhead track scale (HBE) provides perfect weight acquisition and control in goods receiving and dispatch as well as in production. It is distinguished by a rugged, solid and service-friendly construction for universal installation in all common overhead track systems. By means of the various optional rail shapes it can be used with standard versions of round and roller hooks, expanding hooks, mandrel bars etc. as well as customer-specific means of conveying. Their range of application goes from slaughterhouses, cutting up and butchery to canteen kitchens, and this with a capacity of up to 300 weighing operations per hour.

→ Construction

The HBE, with a high degree of protection, consists essentially of the following parts:

- A weighing bar with various standard profiles and different standard lengths.
- Special load transmission from the weighing bar to the strain gauge load cells.
- Two stainless steel DMS strain gauge load cells on a continuous cross beam.
- Fixing elements for mounting the load receptor on the customer's supporting structure.

The functional parts are made of stainless steel (Niro 1.4301) and the construction parts are hot-dip galvanized. No special transition pieces (tube track to weighing bar) are required, due to the completely electronic design. The gap length in each case is 1.5 mm at maximum.

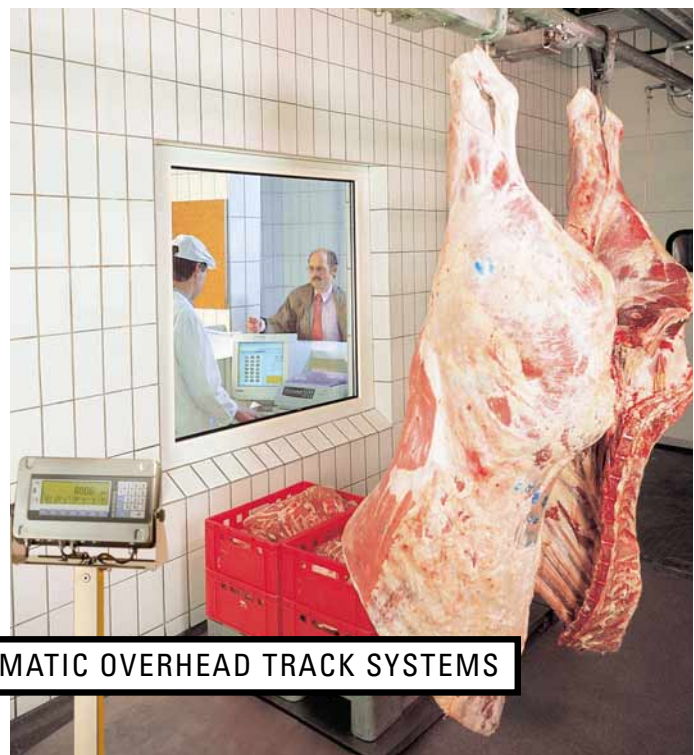
→ Integration in overhead track systems

The construction of the overhead scale allows simple and quick integration in an overhead track system. The overhead track scale can be adapted steplessly to the height of the on-site support construction. The measurement "H" (see sketch) ranges from 110 to 250 mm. In case of greater distances, in general two stable brackets are used which are adjusted in the factory in line with the height conditions on site.

A carrier must be provided by the customer. The tube track section is to be implemented by a straight and rectangular cut. This construction allows the integration of an overhead scale, no matter if the hook is mounted to the right or the left side.

→ Automatic overhead track systems

Due to versatile interface functions and/or static signals of the terminals, it is possible to carry out exact weighing operations in systems with automatic conveying as start/stop weighing.



** FOR INSTALLATION IN MANUAL OR AUTOMATIC OVERHEAD TRACK SYSTEMS

→ EDP connections

Depending on the terminal used, interface connections are implemented to the EDP installation, PC system, PLC, printer etc. Further information can be obtained from the documentation of the terminal concerned. ITU model (prod. sheet V/105), ST model (prod. sheet V/110), NT model (prod. sheet V/111).

→ Bar shapes and fittings

The standard bar shapes are:

- Round tube with a diameter of approx. 60 mm
- Slotted tube with PVC insert
- Round tube with a diameter of approx. 50 mm
- Flat bar (e.g. 60 x 12 or 80 x 15 etc.)

Other bar shapes available on request

→ Optional equipment

In manual operation, the combined stop and go lock ensures that there is always only one item at time to be weighed on the scale. This ensures that weight determination always occurs. Inadvertent pushing through without weight determination is not possible. The functional parts are of 1.4301 stainless steel and the electromagnets are coated (spray-finished sheet steel).



TECHNICAL DATA

Model HBE	Max. load capacity	Approved weighing range	Smallest verifiable interval	Weighing bar Tube/slotted tube in mm	Weighing bar travel	Load cell type 2 pieces	Dead weight kg 60 tube
600	600 kg	2 – 300 kg	100 g	600/800/1000	0.5 mm	BB 500	38/43/48
600	600 kg	4 – 600 kg	200 g	600/800/1000	0.5 mm	BB 500	
1000	1000 kg	10 – 1000 kg	500 g	600/800/1000	1.0 mm	BB 1250	

→ Special dual- range version

600	600	1 – 150/300	50/100	600/800/1000	0.5 mm	BB 500	38/43/48
600	600	2 – 300/600	100/200	600/800/1000	0.5 mm	BB 500	

→ Version for live weight and killing stations

1500	1500	10 – 1000 kg	500 g	300/600	1.8 mm	BB 1250	52 kg
------	------	--------------	-------	---------	--------	---------	-------

The HBE 1500 is constructed in console design. The measurement "H" is standard 135 or 150 mm.

→ Flat bars:

Dimensions 60 x 12 for the weighing range

- 300 kg Length 620 or 820 or 1020 mm
- 600 kg Length 620 mm

Dimensions 80 x 15 for the weighing range

- 300 kg Length 620 or 820 or 1020 mm
- 600 kg Length 620/820 mm
- 1000 kg Length 620 mm

→ **Stabilization time:** Approx. 2-3 seconds depending on local conditions

→ **Protection type as per DIN VDE 0470:** Load cells IP67; connecting boxes IP55

→ **Ambient temperature range:** Operating: -10 °C to +40 °C
Storage: -50 °C to +85 °C

Scale for connection to Bizerba indicating terminals made of stainless steel: strain gauge bending load cell.

→ Temperature changing speed:

Max. 5°C/hour
(while retaining the max. permissible errors on verification)

→ Optional equipment:

Stop and go lock
230 V AC approx. 320 mA.
Protection type IP 54
Other options on request

Engineering documentation:

When planning the installation situation always use HBE
Dimensions 255.97.200.10/255.97.220.00/255.97.200.11
255.97.221.00/255.97.202.00/255.97.225.00
Assembly instructions 255.97.100.03
Bar shapes 255.97.223.00/255.97.224.00
Stop/go lock 255.97.222.00
Drawing No. 255.97.222.00



BIZERBA

_balanced information